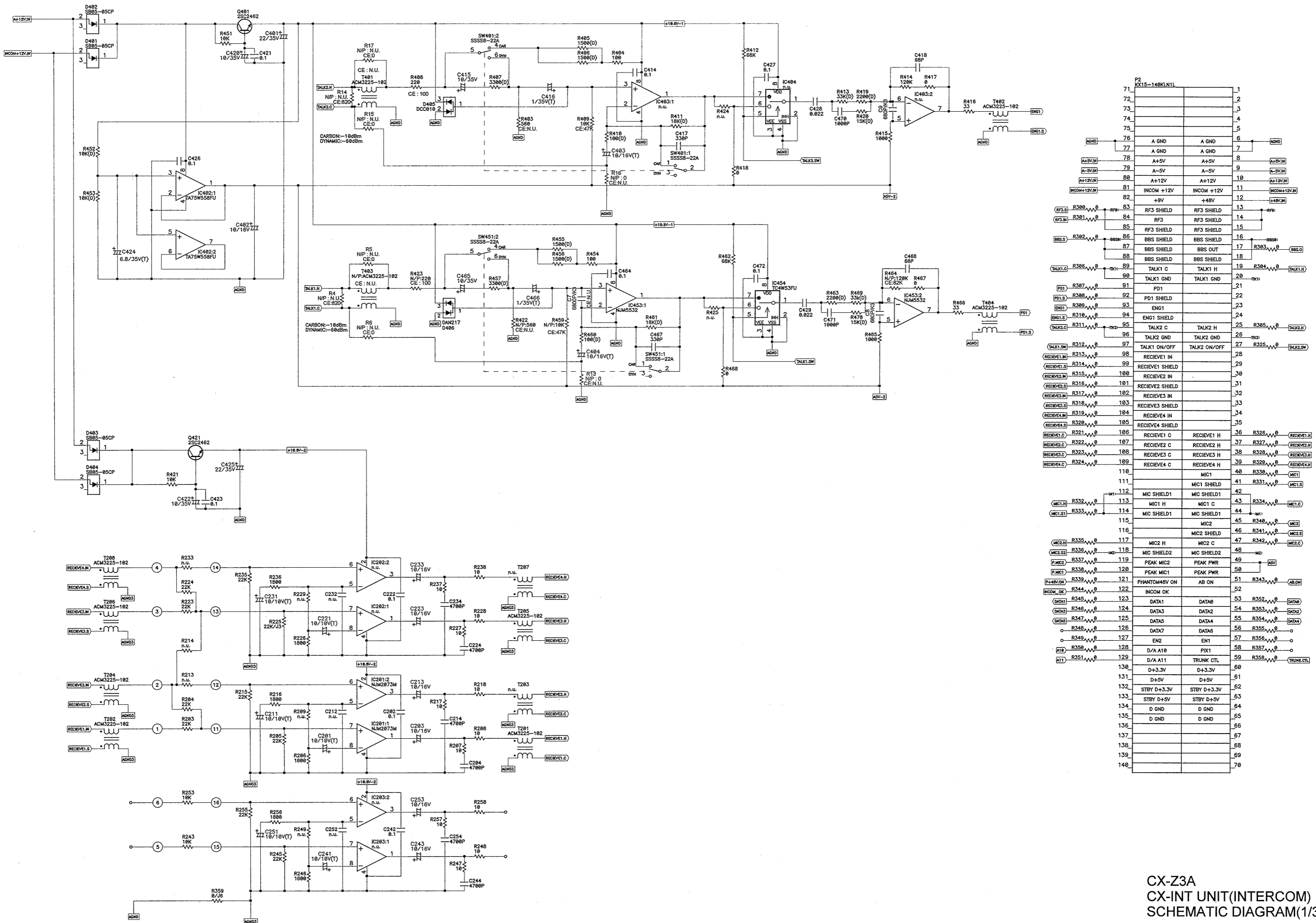


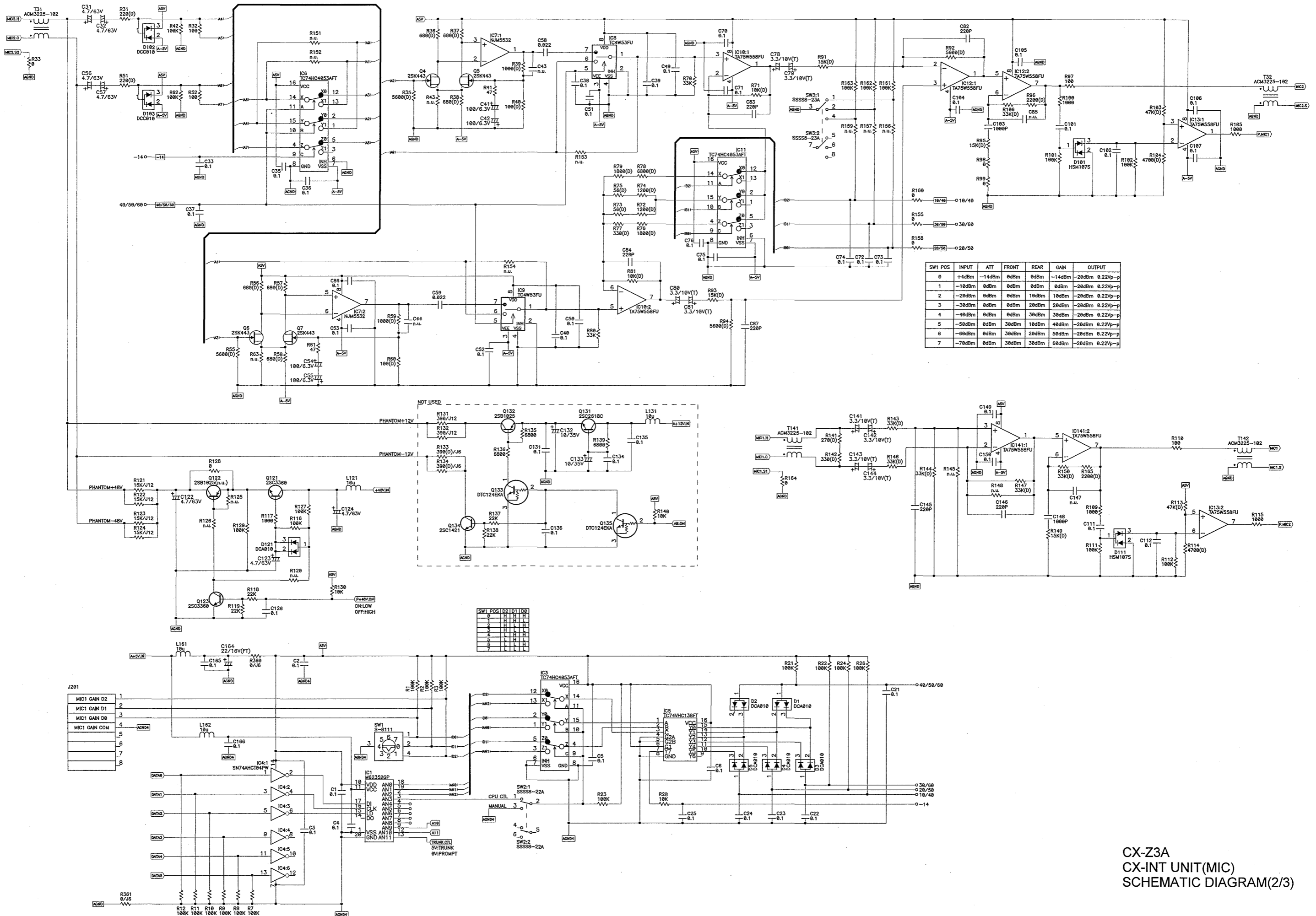
N.U. : Not Use

CX-Z3A
MU-DIGITAL UNIT
SCHEMATIC DIAGRAM(5/5)

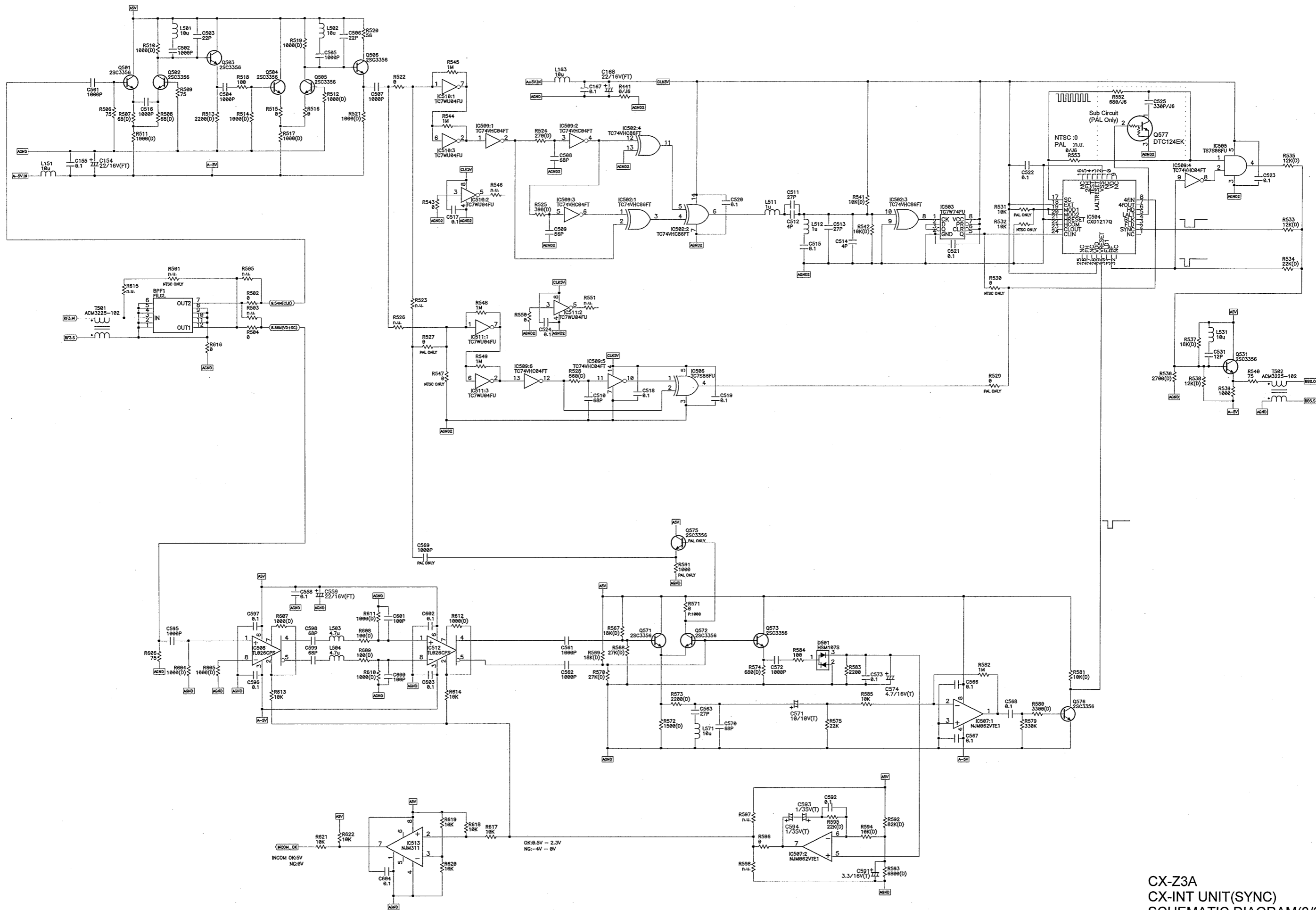


Pin No.	Signal Name	Notes
71	AX15-148K(L1)	
72		
73		
74		
75		
76	A GND	
77	A GND	
78	A+5V	
79	A-5V	
80	A+12V	
81	INCOM +12V	
82	+9V	
83	RF3 SHIELD	
84	RF3	
85	RF3 SHIELD	
86	BBS SHIELD	
87	BBS SHIELD	
88	BBS SHIELD	
89	TALK1 C	
90	TALK1 GND	
91	PD1	
92	PD1 SHIELD	
93	EN1	
94	EN1 SHIELD	
95	TALK2 C	
96	TALK2 GND	
97	TALK1 ON/OFF	
98	TALK2 ON/OFF	
99	RECIEVE1 IN	
100	RECIEVE1 SHIELD	
101	RECIEVE2 IN	
102	RECIEVE2 SHIELD	
103	RECIEVE3 IN	
104	RECIEVE3 SHIELD	
105	RECIEVE4 IN	
106	RECIEVE4 SHIELD	
107	RECIEVE1 C	
108	RECIEVE2 C	
109	RECIEVE3 C	
110	RECIEVE4 C	
111	MIC1	
112	MIC1 SHIELD	
113	MIC1 H	
114	MIC SHIELD1	
115	MIC2	
116	MIC2 SHIELD	
117	MIC2 H	
118	MIC SHIELD2	
119	PEAK MIC2	
120	PEAK MIC1	
121	PHANTOM48V ON	
122	INCOM OK	
123	DATA1	
124	DATA3	
125	DATA5	
126	DATA7	
127	EN2	
128	D/A A18	
129	D/A A11	
130	D+3.3V	
131	D+5V	
132	STBY D+3.3V	
133	STBY D+5V	
134	D GND	
135	D GND	
136	D GND	
137		
138		
139		
140		

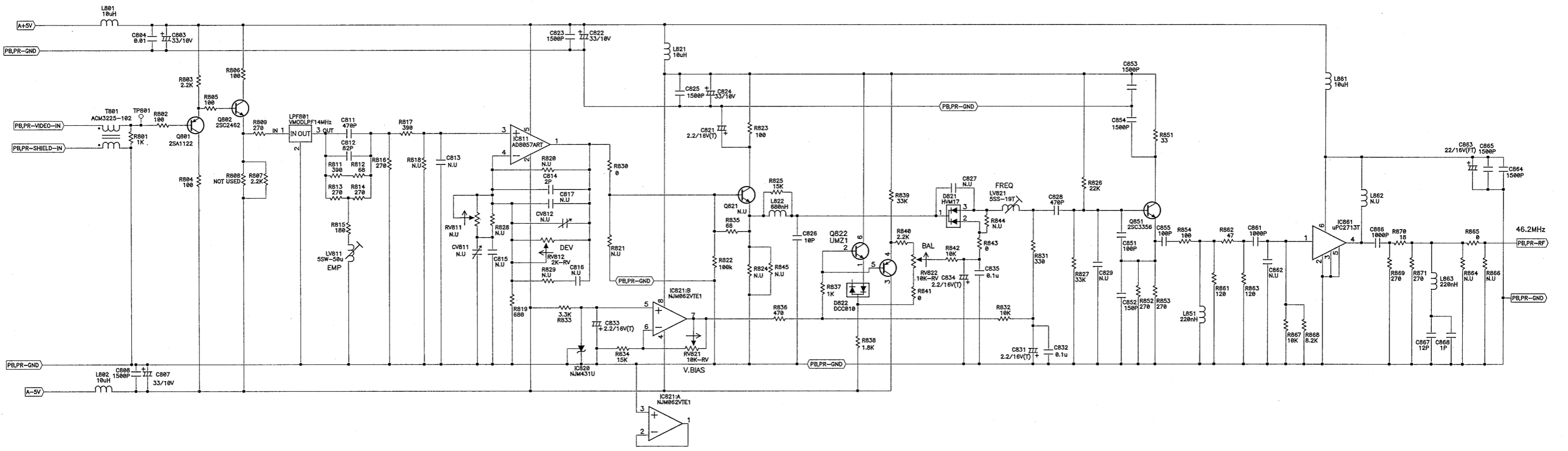
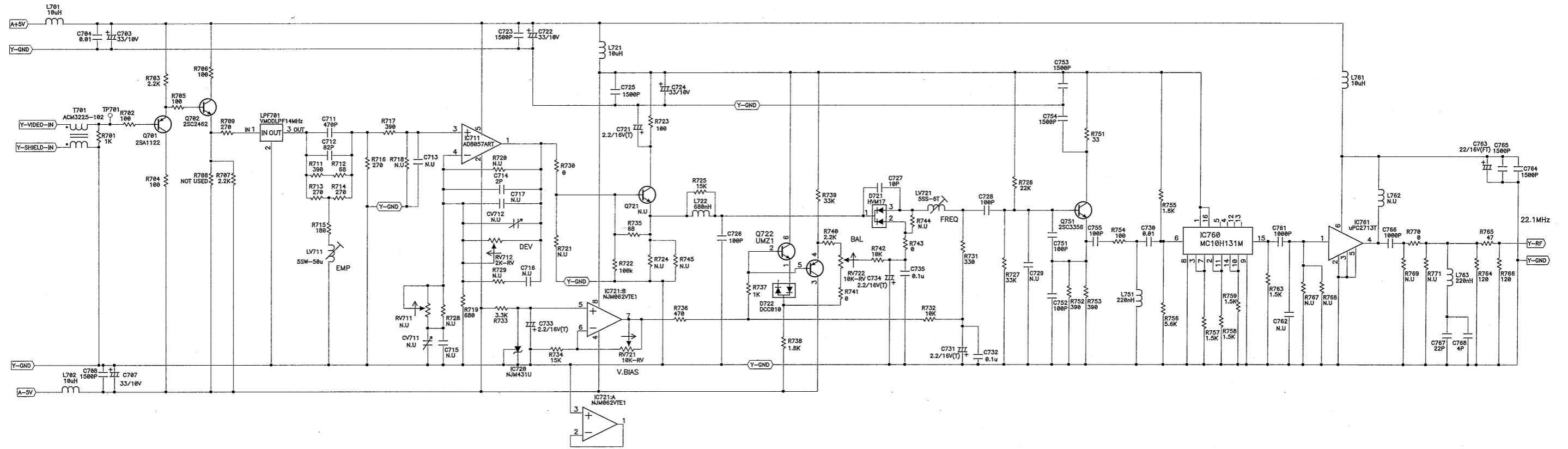
CX-Z3A
CX-INT UNIT(INTERCOM)
SCHEMATIC DIAGRAM(1/3)



CX-Z3A
CX-INT UNIT(MIC)
SCHEMATIC DIAGRAM(2/3)

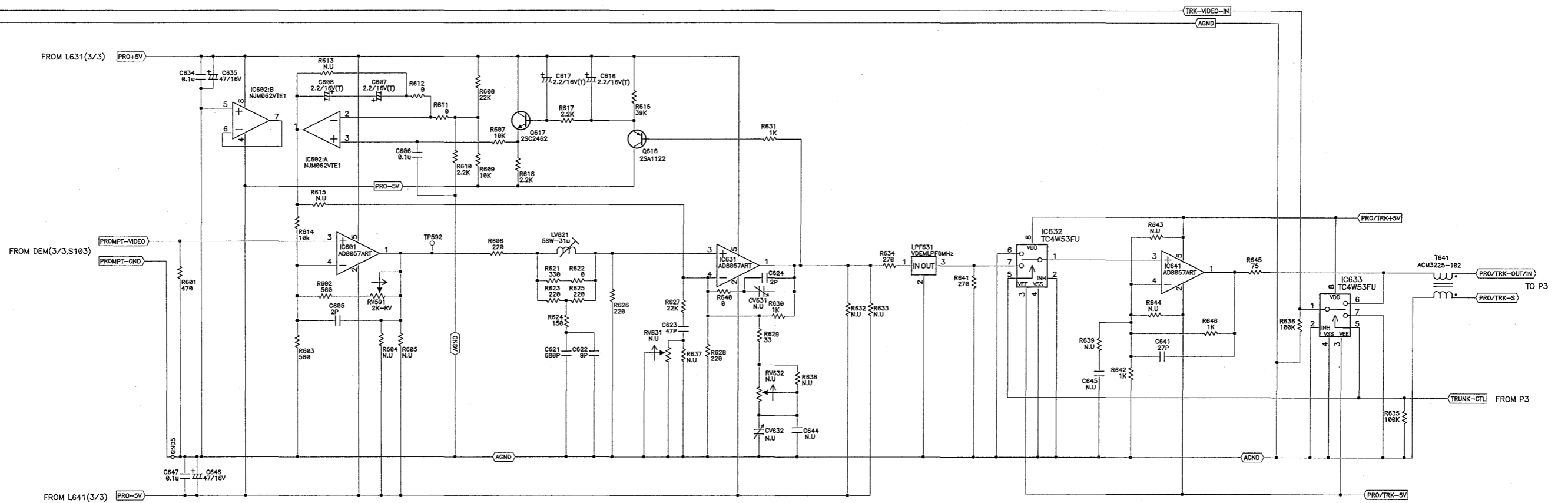
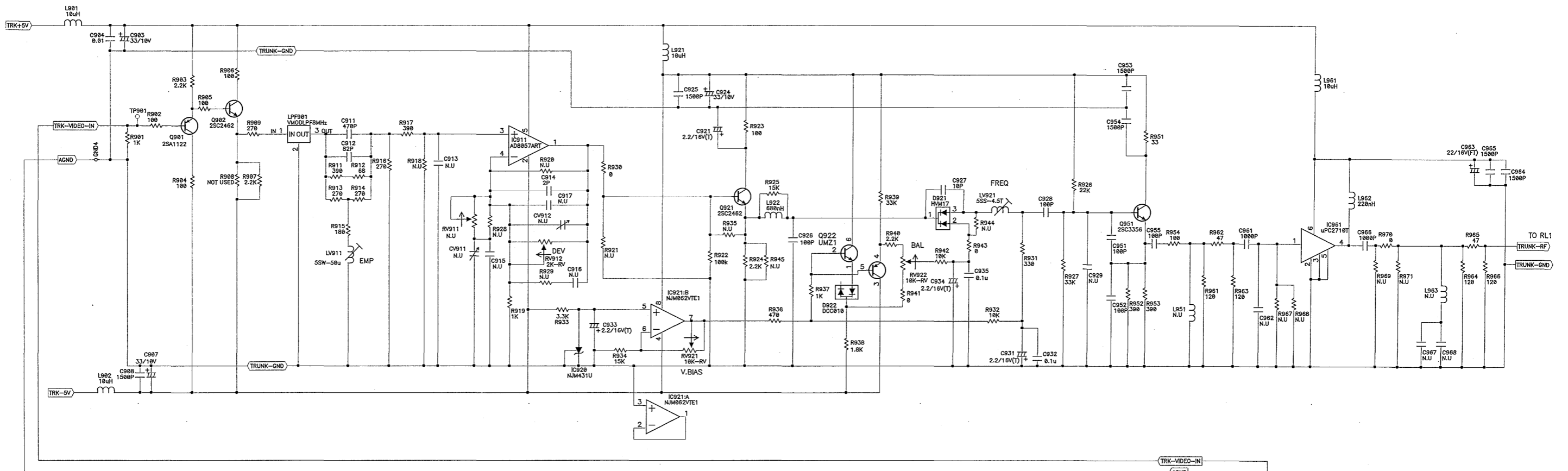


CX-Z3A
CX-INT UNIT(SYNC)
SCHEMATIC DIAGRAM(3/3)



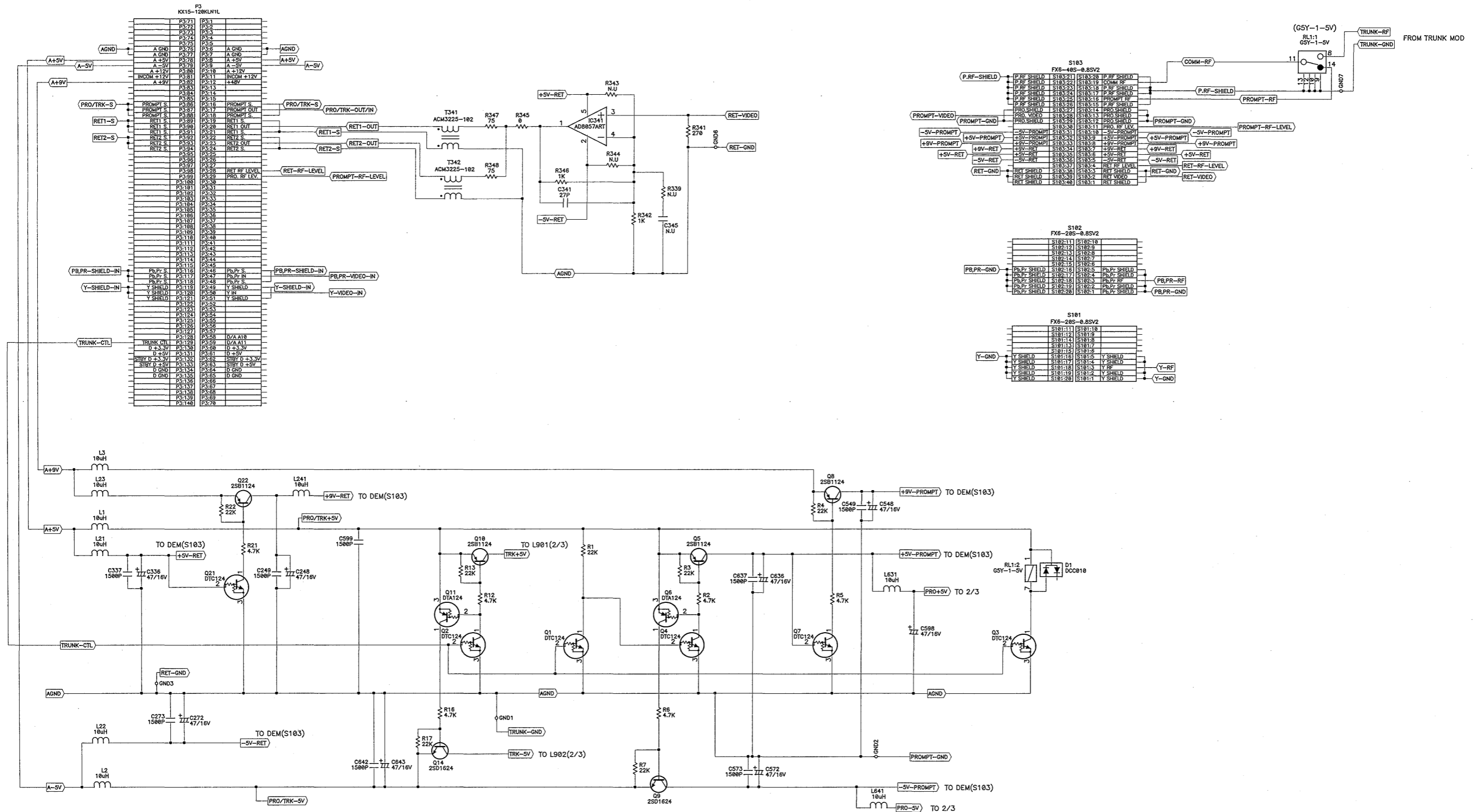
N.U.:Not used

CX-Z3A
 MU-MOD UNIT
 SCHEMATIC DIAGRAM(1/3)



N.U: Not used

CX-Z3A
MU-MOD UNIT
SCHEMATIC DIAGRAM(2/3)



N.U: Not used

CX-Z3A
MU-MOD UNIT
SCHEMATIC DIAGRAM(3/3)

